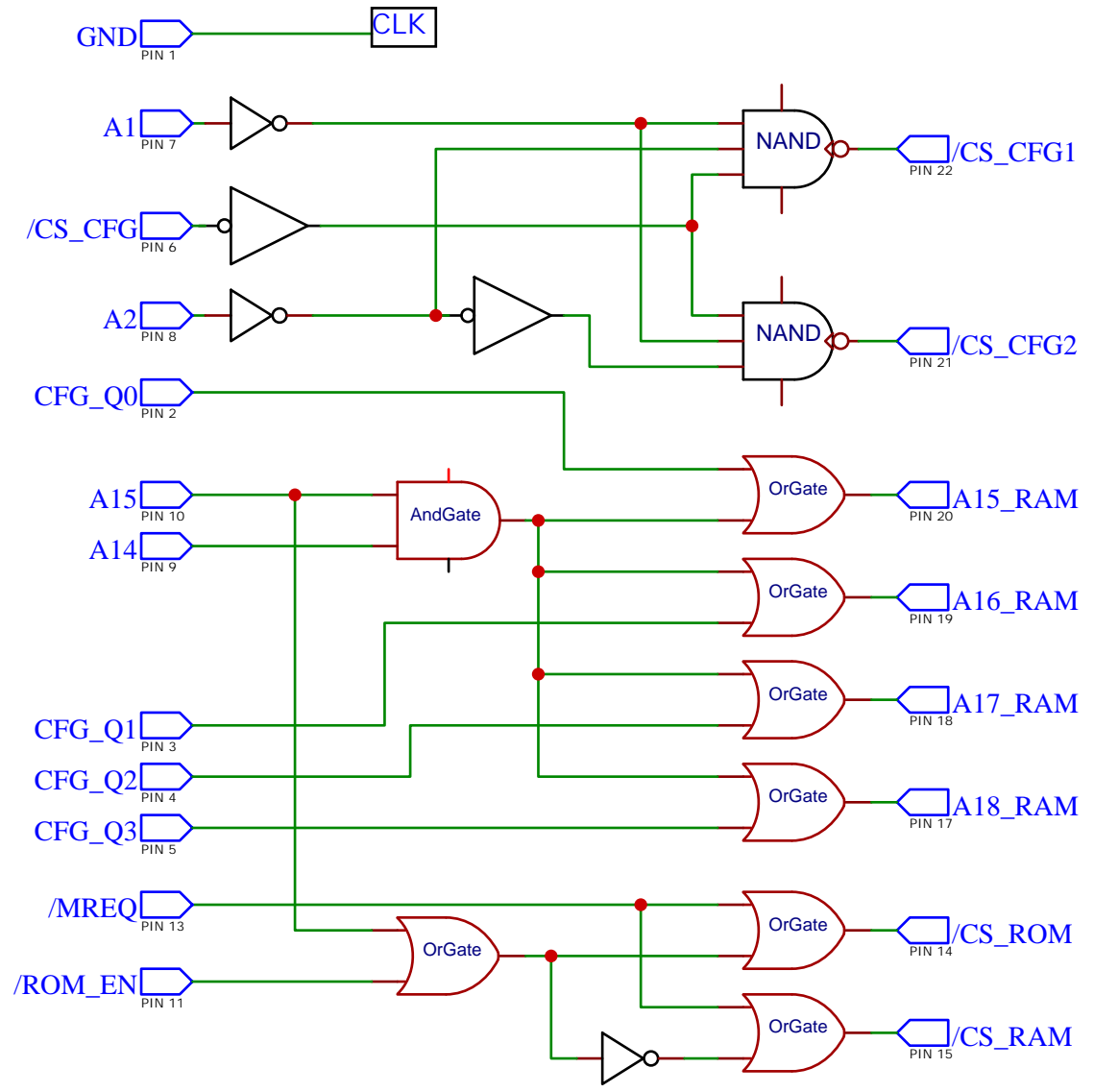
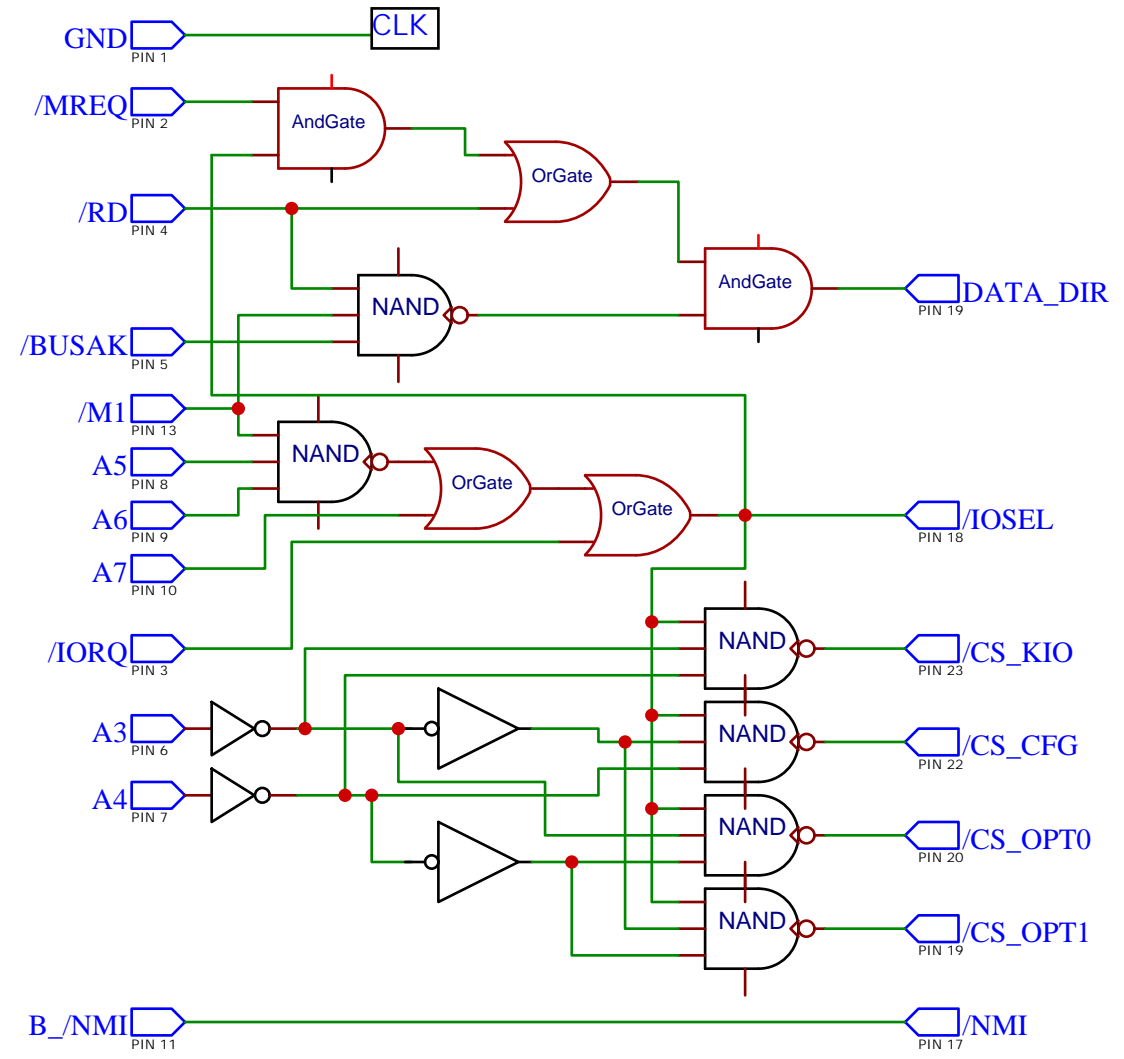


RAM/ROM CHIP SELECT AND EXTENDED ADDRESSING LOGIC
GAL22V10 (U27)



ECB DATA FLOW DIR / IO ADDRESS DECODE
GAL22V10 (U6)



TITLE: ZoniX Dev 1 - GAL Logic		REV: 0.1
EasyEDA	Company: Dom's Project	Sheet: 1/1
	Date: 2020-09-13	Drawn By: Dominic Emond-B.